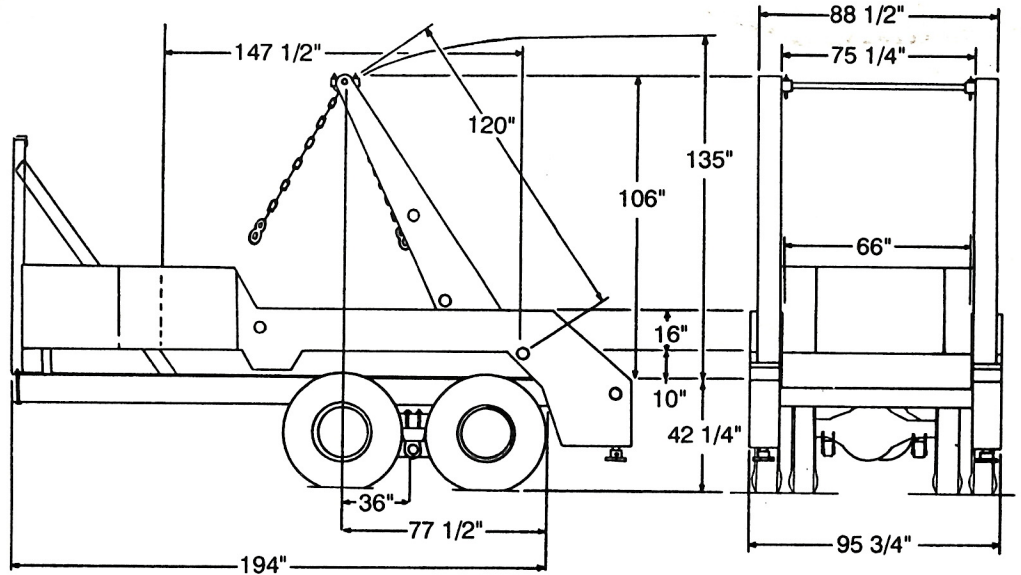


SUPER SERIES

Model 120-RC-40

Specifications

Gross Lifting Capacity.....	40,000
Container Capacity.....	6-28 cu. yds.
Arm Length.....	120"
Weight.....	9,000 lbs.
Hydraulic Capacity.....	22 GPM
Operating Pressure.....	2300 PSI
Cylinder Size.....	8 3/4" ID 3 1/2" Shaft
Rear Stabilizers.....	Hydraulic vertical
Dumping Operation.....	Hydraulic arm contact cys
Cycle Time	
Down Position.....	56 seconds
Up Position.....	46 seconds
Subframe.....	10" structural
Side Box.....	1/2" plate
Floor Plate.....	5/16" plate
Lifting Chains.....	5/8" alloy
Controls.....	Cables



Truck Requirements

Tandem Axle.....	38,000 lbs.
Front Axle.....	16,000 lbs.
Back of cab to c/l of tandem.....	144"
Center of gravity.....	36"
Back of cab to end of frame.....	194"

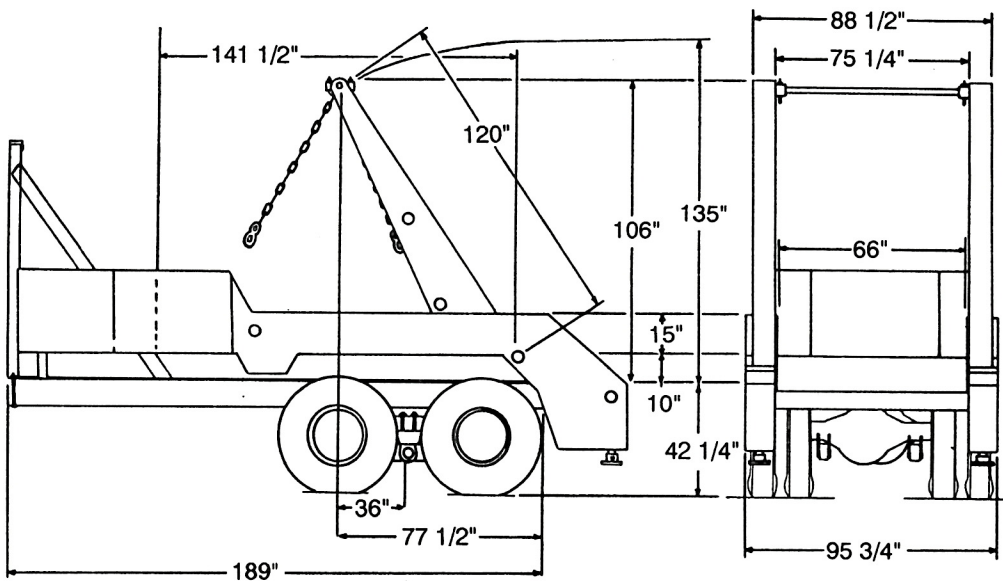
Model 120-RC-35

Specifications

Gross Lifting Capacity.....	35,000
Container Capacity.....	6-24 cu. yds.
Arm Length.....	120"
Weight.....	7,400 lbs.
Hydraulic Capacity.....	22 GPM
Operating Pressure.....	2500 PSI
Cylinder Size.....	8" ID 3" Shaft
Rear Stabilizers.....	Hydraulic vertical
Dumping Operation.....	Hydraulic arm contact cys
Cycle Time	
Down Position.....	56 seconds
Up Position.....	46 seconds
Subframe.....	10" structural
Side Box.....	5/16" plate
Floor Plate.....	1/4" plate
Lifting Chains.....	5/8" alloy
Controls.....	Cables

Truck Requirements

Tandem Axle.....	34,000 lbs.
Front Axle.....	16,000 lbs.
Back of cab to c/l of tandem.....	139"
Center of gravity.....	36"
Back of cab to end of frame.....	189"



G.V.W. SUBJECT TO INDIVIDUAL STATE LAW