

UTILITY GROUP

Model 57-RC-14

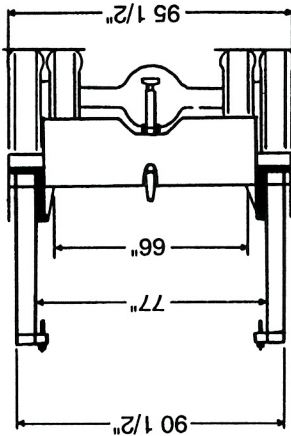
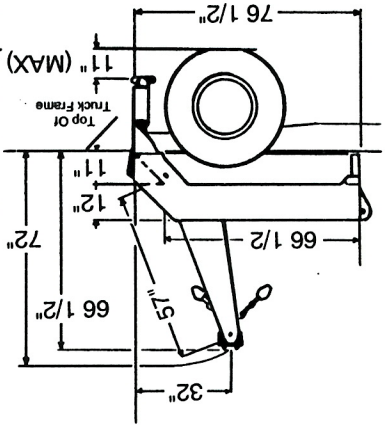
comparable to CH400

Specifications

Gross Lifting Capacity.....	14,000
Container Capacity.....	3-6 cu. yds.
Arm Length.....	57"
Weight.....	3,300 lbs.
Hydraulic Capacity.....	22 GPM
Operating Pressure.....	1200 PSI
Cylinder Size.....	8" ID 28" Shaft
Rear Stabilizers.....	Hydraulic vertical
Dumping Operation.....	Trip hook
Cycle Time	
Down Position.....	27 seconds
Up Position.....	24 seconds

Truck Requirements

Subframe.....	10" structural
Side Box.....	1/4" plate
Floor Plate.....	1/4" plate
Lifting Chains.....	1/2" alloy
Controls.....	Cables
Rear Axle.....	18,000 lbs.
Front Axle.....	7,000 lbs.
Back of cab to c/l of rear.....	60"
Center of gravity.....	2"
Back of cab to end of frame.....	88"



Model 78-RC-20

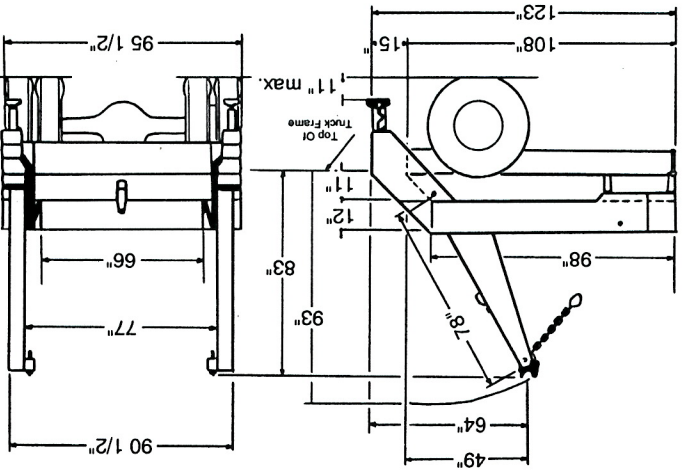
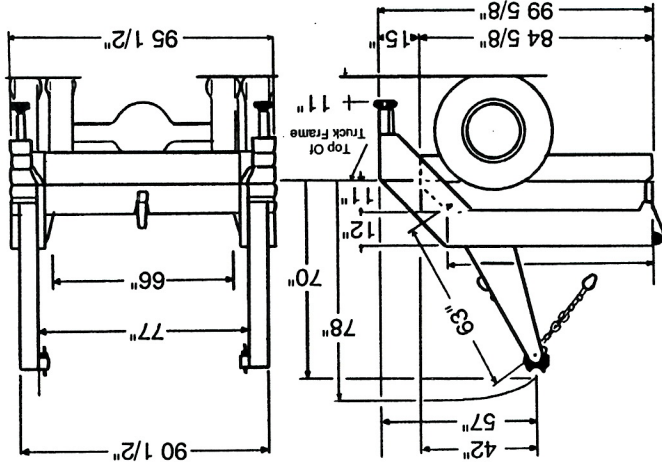
comparable to CH400M

Specifications

Gross Lifting Capacity.....	20,000
Container Capacity.....	5-10 cu. yds.
Arm Length.....	78"
Weight.....	4,700 lbs.
Hydraulic Capacity.....	22 GPM
Operating Pressure.....	1800 PSI
Cylinder Size.....	8" ID 34" Shaft
Rear Stabilizers.....	Hydraulic vertical
Dumping Operation.....	Trip hook
Cycle Time	
Down Position.....	28 seconds
Up Position.....	32 seconds

Truck Requirements

Subframe.....	10" structural
Side Box.....	1/4" plate
Floor Plate.....	1/4" plate
Lifting Chains.....	1/2" alloy
Controls.....	Cables
Rear Axle.....	24,000 lbs.
Front Axle.....	10,000 lbs.
Back of cab to c/l of rear.....	84"
Center of gravity.....	19"
Back of cab to end of frame.....	114"



Model 63-RC-17

comparable to CH500

Specifications

Gross Lifting Capacity.....	17,000
Container Capacity.....	4-8 cu. yds.
Arm Length.....	63"
Weight.....	4,000 lbs.
Hydraulic Capacity.....	22 GPM
Operating Pressure.....	1200 PSI
Cylinder Size.....	8" ID 34" Shaft
Rear Stabilizers.....	Hydraulic vertical
Dumping Operation.....	Trip hook
Cycle Time	
Down Position.....	27 seconds
Up Position.....	31 seconds

Truck Requirements

Subframe.....	10" structural
Side Box.....	1/4" plate
Floor Plate.....	1/4" plate
Lifting Chains.....	1/2" alloy
Controls.....	Cables
Rear Axle.....	22,000 lbs.
Front Axle.....	9,000 lbs.
Back of cab to c/l of rear.....	72"
Center of gravity.....	12"
Back of cab to end of frame.....	100"