



RollRite.com

Automated Covering Systems

650 Industrial Drive • Gladwin, MI 48624

# Roll Off & Hook Lift System



## 69400 DC 400 w/Stationary Pivot & Single Stage

*Single Stage Tower, Top Mount Pivot, Up To 30' of Tarp*



**RollRite.com**

**Automated Covering Systems**

650 Industrial Drive • Gladwin, MI 48624

## Welcome to Roll-Rite® Automated Covering Systems

Roll-Rite® designs and manufactures state-of-the-art, automated tarp systems for the global heavy duty trucking industry serving the Construction, Agriculture, Waste and Recycling markets. Our systems quickly and reliably contain and protect payloads, create a safer working environment for drivers, and maximize our customer's return-on-investment by increasing revenues and reducing cost of ownership.



### Customer Service:

**800-297-9905** US & Canada

**989-345-3434** International

**989-246-1035** Fax

### Physical Address:

650 Industrial Drive  
Gladwin, MI 48624

[www.RollRite.com](http://www.RollRite.com)

Contents

69400 Tarp System, DC400 w/6 Spring Top Mount Stationary Pivot & Adjustable Tower ..... 1

**Tower Assembly**

101531 Tower, Adjustable Tower SD w/Single Valve Pump & Control Box Plumbed & Wired ..... 3-1  
36164 Housing, Spool 98" Aluminum Integrated Housing ..... 3-2  
39004 Tower, Stationary Steel Tower - Integrated Housing ..... 3-3  
39612 Pump Assembly, 12V Hydraulic Pump w/Manifold & 1 Valve & Compact Tank ..... 3-4

**Pivot Assembly**

46590 Pivot Set, Top Mount 6 Spring Pivot w/120" Tubes (B1-46591/B2-46592) ..... 4-1  
46470 Pivot, Assb. 6-spr Top Mnt Pvt w/o tube-Driver ..... 4-2  
46480 Pivot, Assembly. 6-spr Top mnt pvt w/o Tube-Pass ..... 4-3  
46220 Pivot Tube, 120" w/set screws for Roller Bearing -Each- ..... 4-4  
76831 Bracket, Pivot Arm Tie Down ..... 4-5

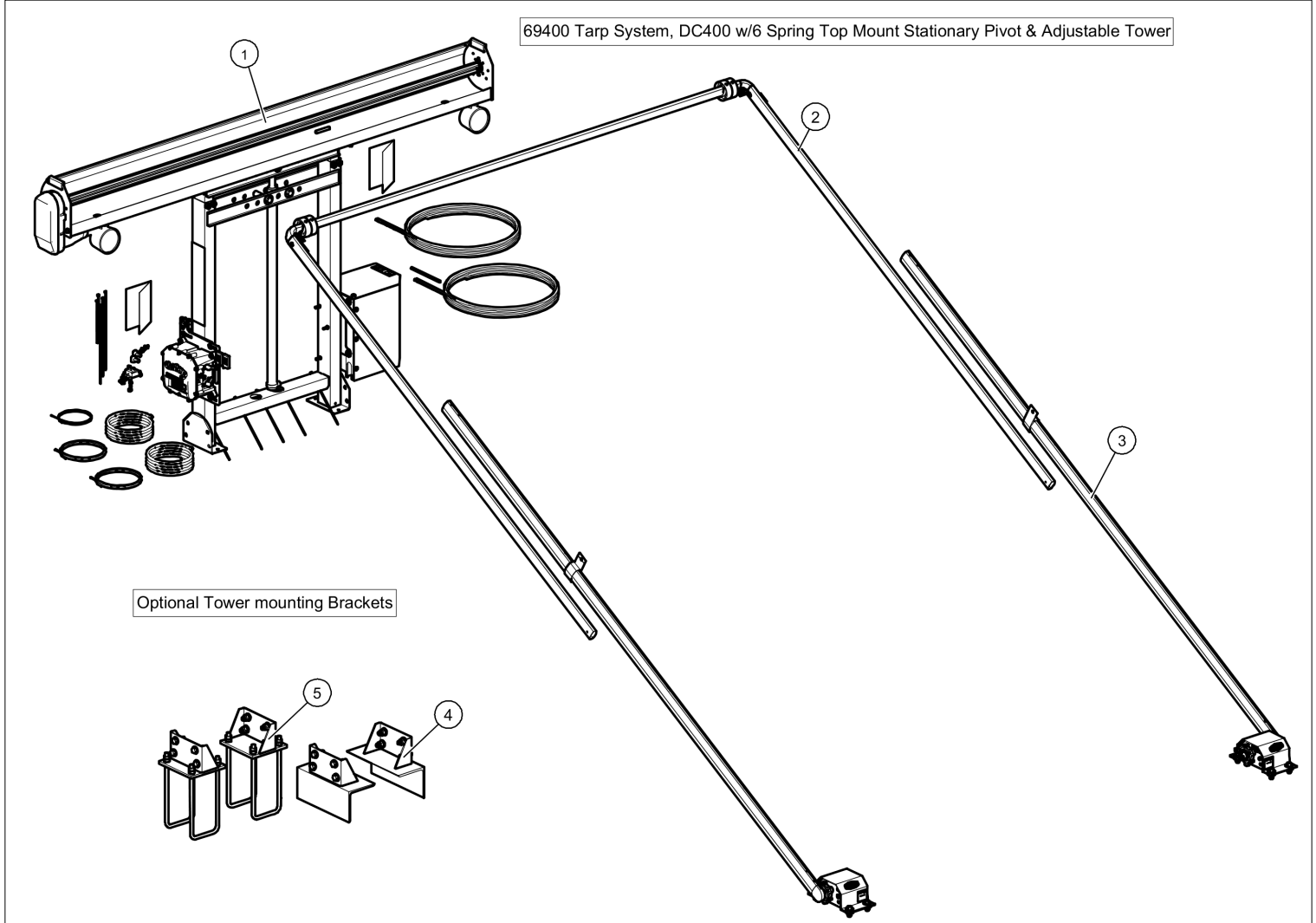
**Bow Set**

76720 Pivot Set, 4 Spring w/ 60" Aluminum Pivot Tube ..... 5-1  
76760 Bow Tube, 98" Al Side Arm W. 90° Corner ..... 5-2  
76800 Casting, Aluminum Corner - 90 Degree ..... 5-3

**Optional: Tower Mounting Brackets**

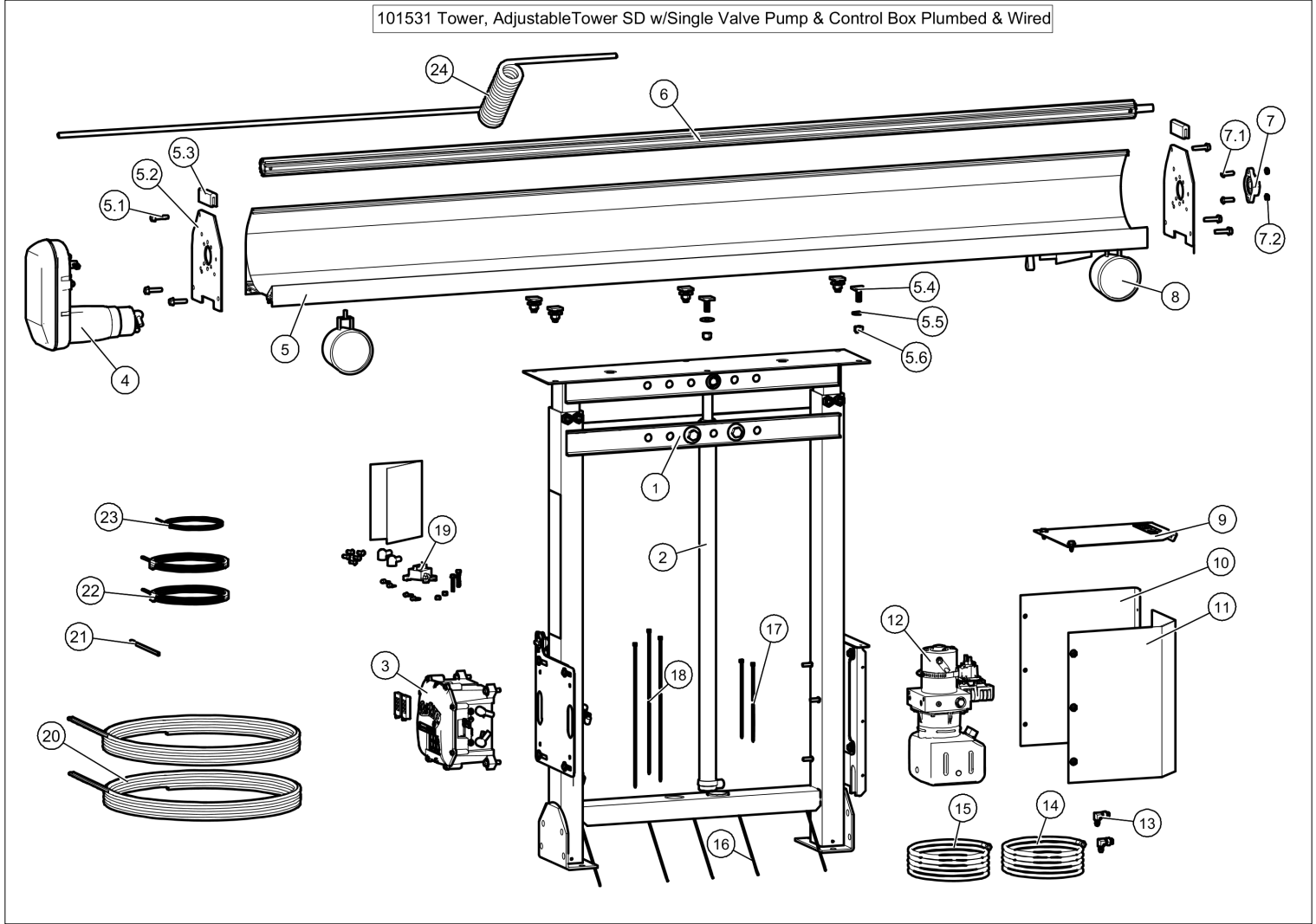
39001 Bracket, U-bolt Style Tower Mounting Bracket - Set ..... 6-1  
39002 Bracket, Side Frame Style Tower Mounting Bracket - Set ..... 6-2  
Appendix B:Parts Index ..... B

## 69400 Tarp System, DC400 w/6 Spring Top Mount Stationary Pivot & Adjustable Tower



Item	Part No.	Name	Qty
Ref	69400	Tarp System, DC400 w/6 Spring Top Mount Stationary Pivot & Adjustable Tower	1
1	101531	Tower, Adjustable Tower SD w/Single Valve Pump & Control Box Plumbed & Wired	1
2	76720	Bow Set, 103 1/2" Wide Top Tube w/ 98" Bow Arms	1
3	46590	Pivot Set, Top Mount 6 Spring Pivot w/120" Tubes (B1-46591/B2-46592)	1
4	39002	Bracket, Side Frame Style Tower Mounting Bracket - Set	1
5	39001	Bracket, U-bolt Style Tower Mounting Bracket - Set	1

**Tower Assembly 101531 Tower, Adjustable Tower SD w/Single Valve Pump & Control Box Plumbed & Wired**

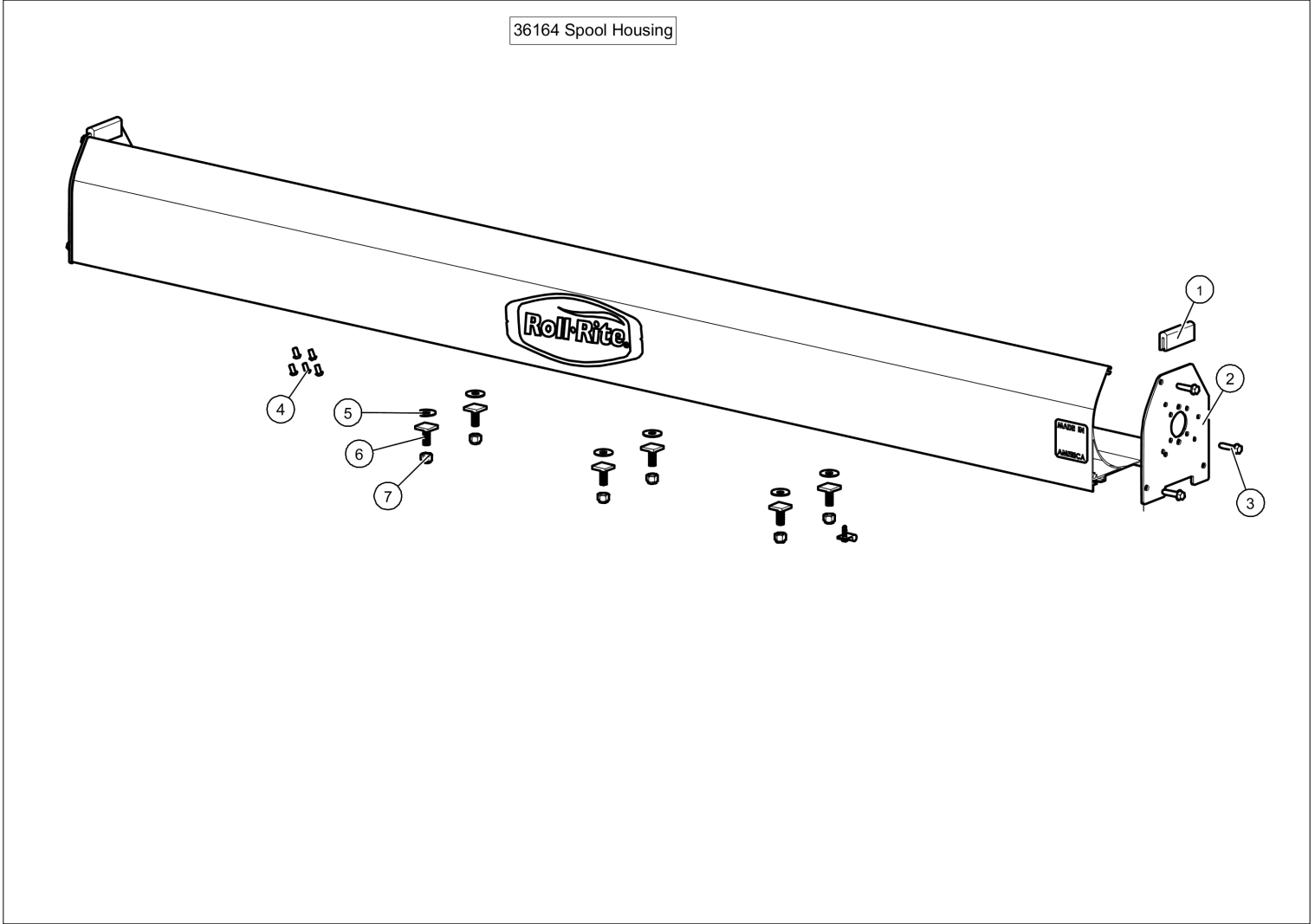


Item	Part No.	Name	Qty
Ref	101531	Tower, Adjustable Tower SD w/Single Valve Pump & Control Box Plumbed & Wired	1
1	39004	Tower, Stationary Steel Tower - Integrated Housing	1
2	39520	Cylinder, 1.5" Bore x 36" Stroke DA, Single Flange Mount	1
3	19865	Control Box, Wireless Black Cntrl Box -12V Waste	1
4	10122	Gear Motor, Super Duty w/5 Year Warranty - S/N: SDX	1
5	36164	Housing, Spool 98" Aluminum Integrated Housing	1
5.1	18120	Bolt, 3/8" x 1-1/2" Thread Cutting Screw Hex Washer Hd	6
5.2	101675	Bracket, Int Housing Aluminum Endcaps- EACH without rubber stop	2
5.3	36300	Bumper, Rubber Bumper for Tarp Spool -each-	2
5.4	18245	Bolt, T-Bolt 1/2-13NCx1.75 for GAB	6
5.5	18412	Washer, 1/2" Flat Zinc	6
5.6	18631	Nut, 1/2" Nylock Nut	6

Item	Part No.	Name	Qty
6	31030	Axle, 97" Pre Threaded AL Tarp Axle w/Stub Shaft	1
7	31050	Bearing, 3/4" Flanged Axle Bearing with bolts/nuts	1
7.1	18242	Bolt, 3/8"-16 x 1 1/8" Button Head	2
7.2	18628	Nut, Nylock nut 3/8" Jamb Nut	2
8	19470	Light, Work Light 12V	2
9	10778	Top cover for external leg pump mount	1
10	10794	Bracket, Pump Mount Cover Steel 1/8x16x13 7/8"	1
11	39615	Pump Cover, Black Housing for Hydraulic Pump on Vert Mount Towers NEW	1
12	39612	Pump Assembly, 12V Hydraulic Pump w/Manifold & 1 Valve & Compact Tank	1
13	39299	Adapter, Str #4 Male Tube to #6 Male Oring (speed block to hose)	2
14	100864	Hose, 79" Replacement Hyd. Hose	1
15	101319	Hose, 40" Replacement Hyd. Hose	1
16	1132	Zip Tie, Button Head 21087	5
17	1130	Zip Tie, 8" Ty Rap	2
18	1131	Zip Tie, 15" Ty Rap	3
19	17915	Breaker, 100 amp Manual Reset Breaker Only 24V & 12V Integrated	1
20	11330	Wire, 6 ga. Dual Conductor -ft-	2
21	100740	Wire, 8 Ga. Dual Conductor (foot)	1
22	11345	Wire, 16 ga. 2-Conductor -per ft-	2
23	11347	Wire, 16 ga. Single-Conductor (per foot)	1
24	11325	Wire, Tower Coil Cord Std 75" - 2-8ga & 2-16 ga with 12 & 48" leads	1

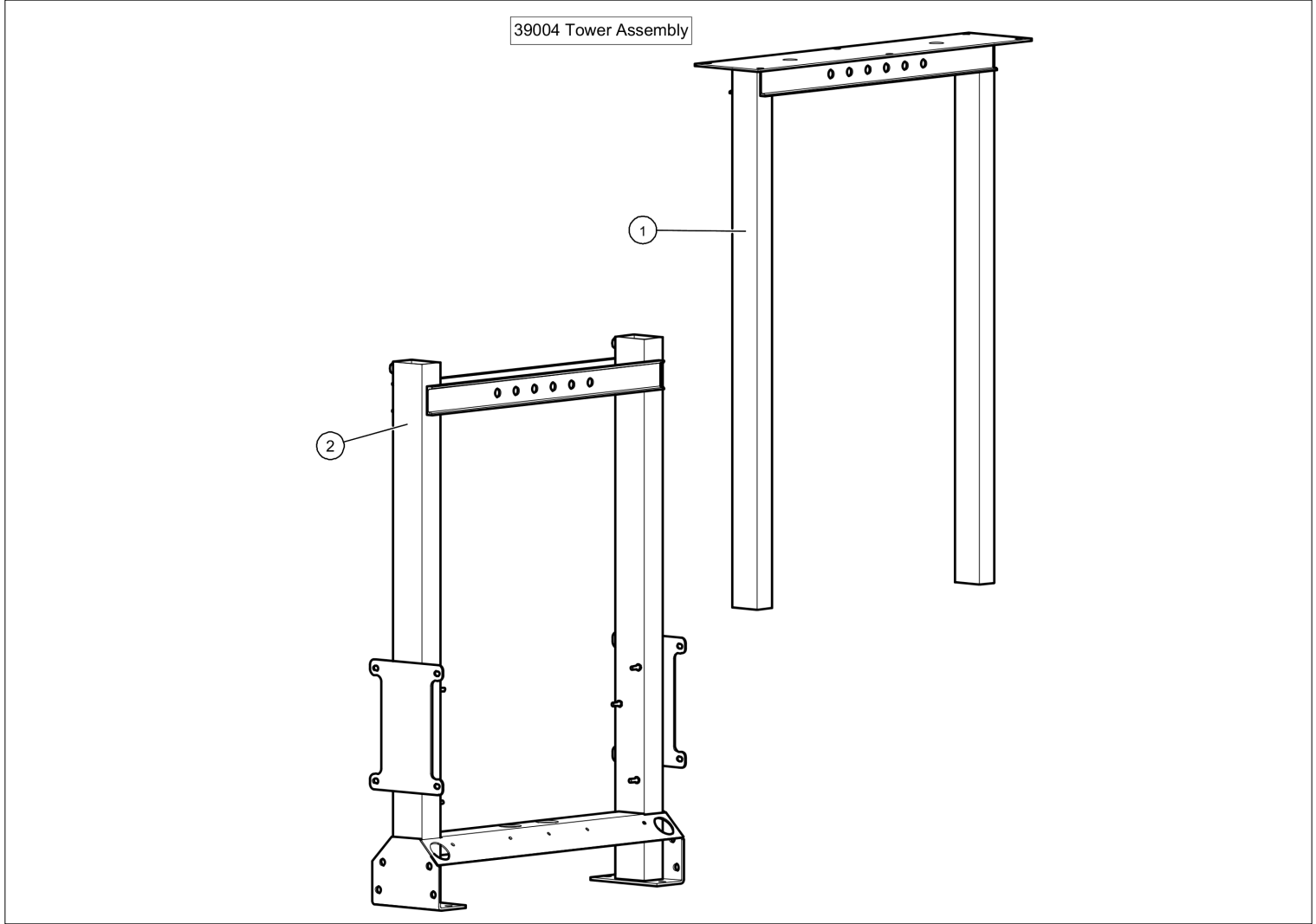
**Tower Assembly 36164 Housing, Spool 98" Aluminum Integrated Housing**

36164 Spool Housing



Item	Part No.	Name	Qty
Ref	36164	Housing, Spool 98" Aluminum Integrated Housing	1
1	36300	Bumper, Rubber Bumper for Tarp Spool -each-	2
2	101675	Bracket, Int Housing Aluminum Endcaps- EACH without rubber stop	2
3	18120	Bolt, 3/8" x 1-1/2" Thread Cutting Screw Hex Washer Hd	6
4	18631	Nut, 1/2" Nylock Nut	6
5	18245	Bolt, T-Bolt 1/2-13NCx1.75 for GAB	6
6	18412	Washer, 1/2" Flat Zinc	6
7	18260	Bolt, 5/16" x 5/8" Button Head Bolt-Zinc Plated	5

**Tower Assembly 39004 Tower, Stationary Steel Tower - Integrated Housing**

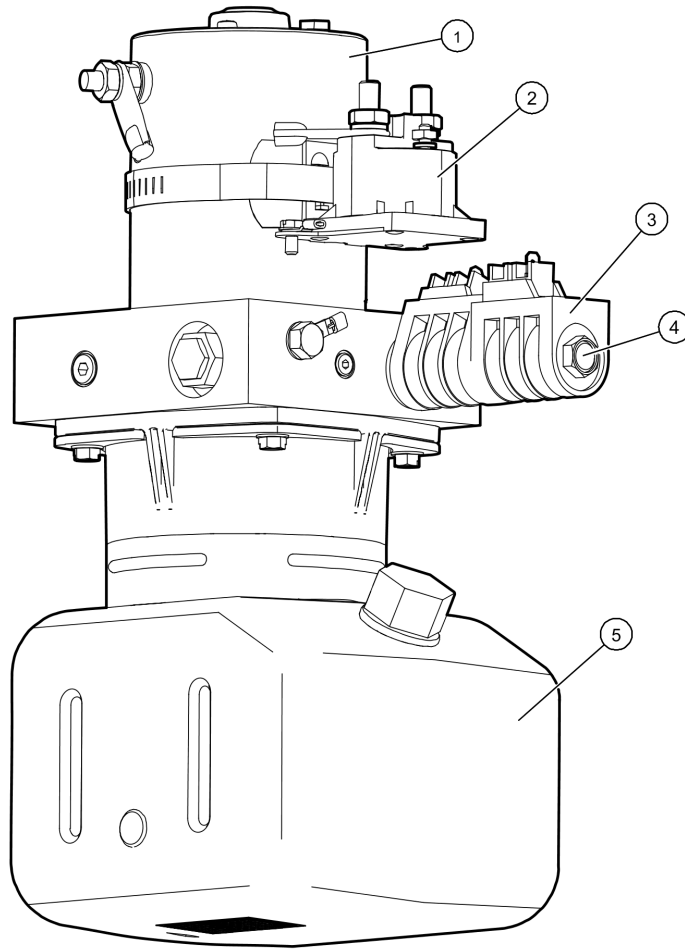


Item	Part No.	Name	Qty
Ref	39004	Tower, Stationary Steel Tower - Integrated Housing	1
1	39169	Tower, Top Half Single or Dual Stage Tower Int Housing	1
2	39179	Tower, Bottom Half Steel Single Stage Int Tower	1



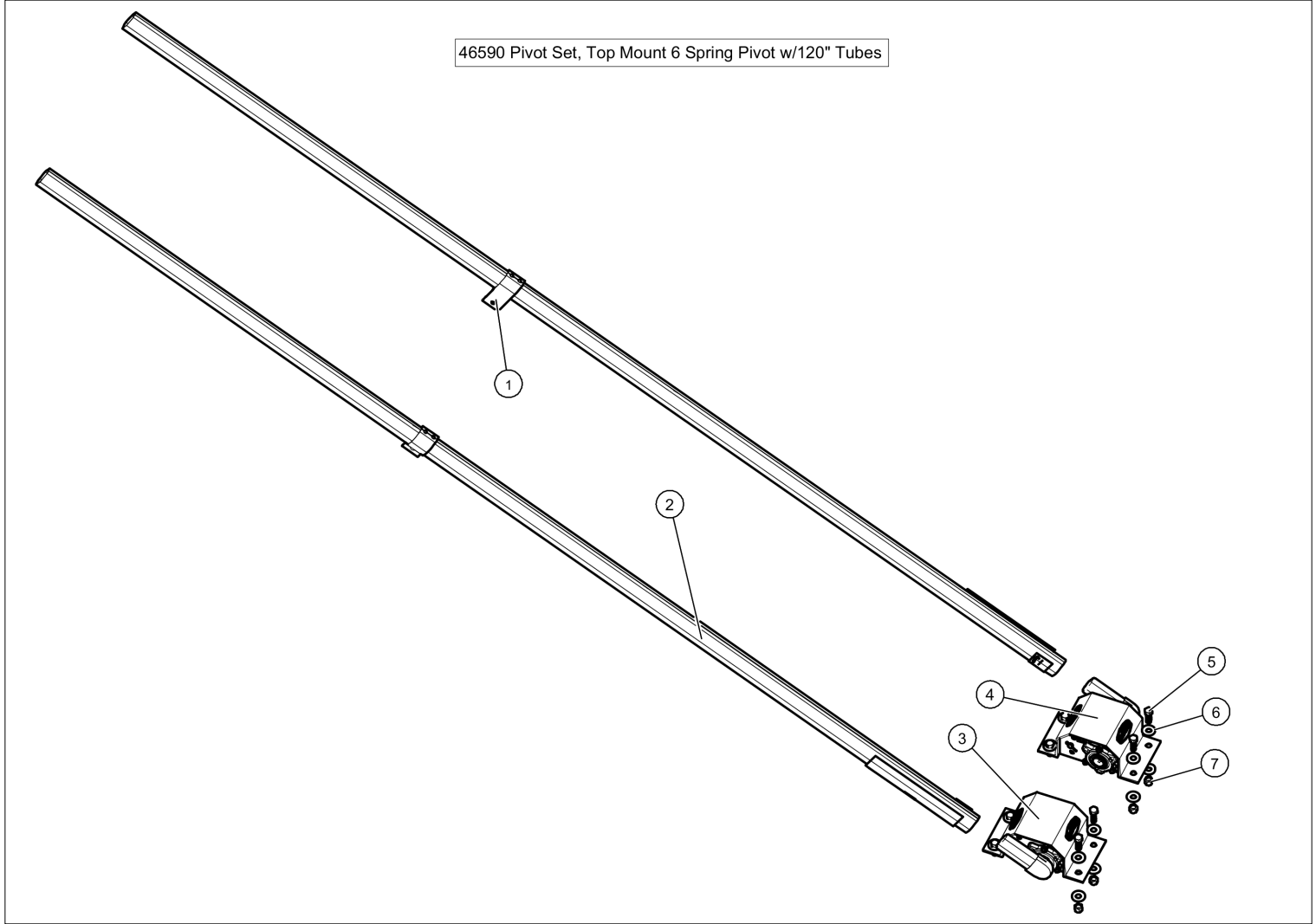
**Tower Assembly 39612 Pump Assembly, 12V Hydraulic Pump w/Manifold & 1 Valve & Compact Tank**

39612 Pump Assembly, 12V Hydraulic Pump w/Manifold & 1 Valve & Compact Tank



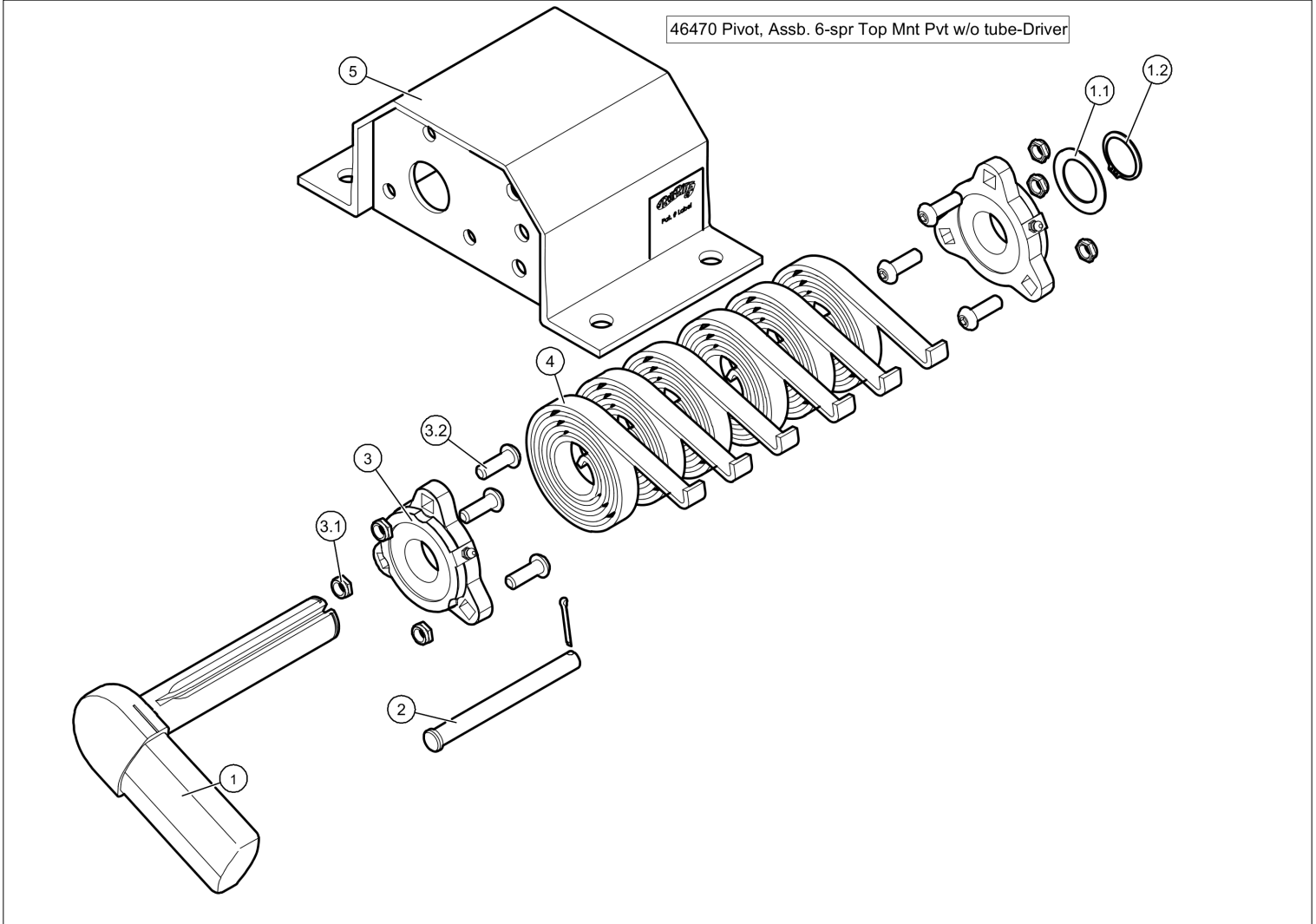
Item	Part No.	Name	Qty
Ref	39612	Pump Assembly, 12V Hydraulic Pump w/Manifold & 1 Valve & Compact Tank	
1	102832	Motor, Replacement Motor for Hydraulic Pump (12 Volt) (39612)	1
2	102079	Solenoid, 12VDC Start Switch for Power Unit (39612)MTE39002136	1
3	102080	Valve, 3 P4W Tandem Center Directional for MTE Pump	1
4	102078	Coil, 12VDC for Power Unit (39612)MTE39002301	1
5	102066	Tank, for Integrated single valve Power Unit (39612)MTE32301480.37701003,69420023,31901074,66700926	1

**Pivot Assembly 46590 Pivot Set, Top Mount 6 Spring Pivot w/120" Tubes (B1-46591/B2-46592)**



Item	Part No.	Name	Qty
Ref	46590	Pivot Set, Top Mount 6 Spring Pivot w/120" Tubes (B1-46591/B2-46592)	1
1	76831	Bracket, Pivot Arm Tie Down	2
2	46220	Pivot Tube, 120" w/set screws for Roller Bearing -Each-	2
3	46470	Pivot, Assembly. 6-spr Top Mnt Pvt w/o tube-Driver	1
4	46480	Pivot, Assembly. 6-spr Top mnt pvt w/o Tube-Pass	1
5	18296	Bolt, 1/2" x 1 1/2" Hex Head Bolt	8
6	18412	Washer, 1/2" Flat Zinc	16
7	18631	Nut, 1/2" Nylock Nut	8

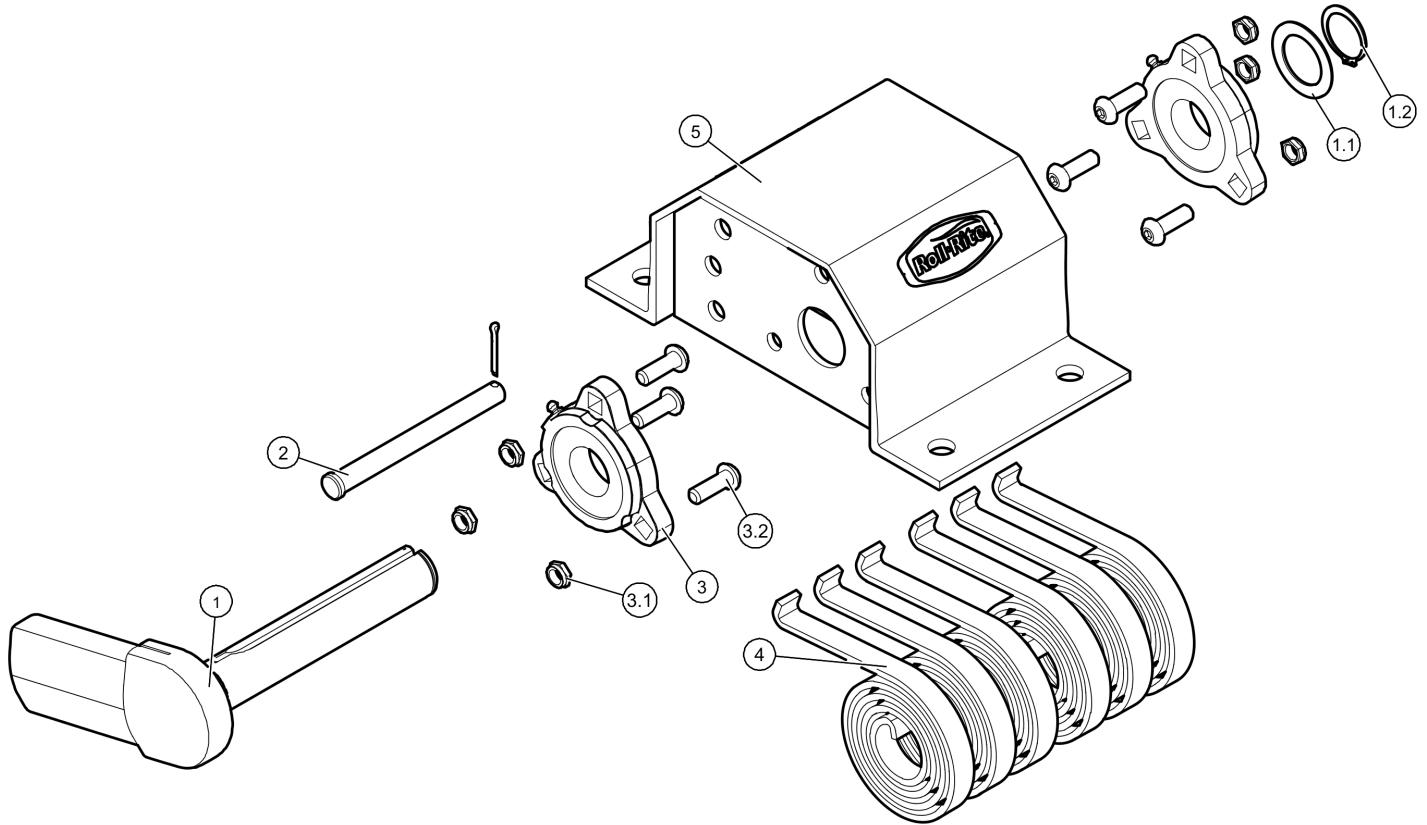
**Pivot Assembly 46470 Pivot, Assb. 6-spr Top Mnt Pvt w/o tube-Driver**



Item	Part No.	Name	Qty
Ref	46470	Pivot, Assembly. 6-spr Top Mnt Pvt w/o tube-Driver	1
1	46360	Pivot Pin, for 5 & 6-Spring Roller Bearing - DRV	1
1.1	47010	Bushing, Pivot 1 1/4 Machinery Bushing for Pivot Pin	1
1.2	47000	Snap Ring, 1 1/4" External for Pivot Pin	1
2	18540	Pin, 1/2" x 5-1/4" Clevis	1
3	47800	Bearing, Carrier Underbody Flanged	2
3.1	18628	Nut, Nylock nut 3/8" Jamb Nut	3
3.2	18242	Bolt, 3/8"-16 x 1 1/8" Button Head	3
4	47230	Spring, Spiral Torsion Spring 1 1/4	6
5	46400	Bracket, for 6-Spring Top Mount Pivots-each	1

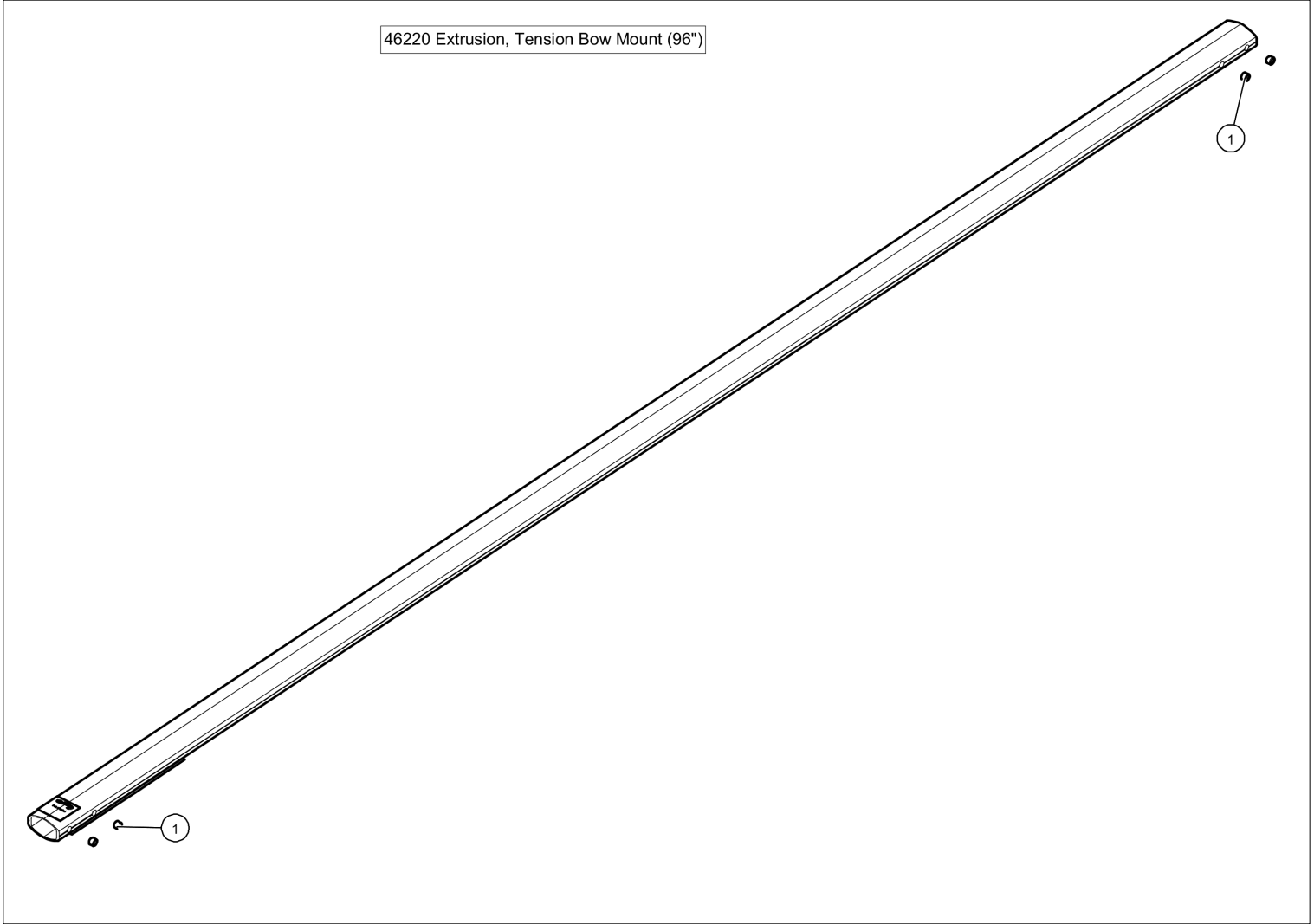
**Pivot Assembly 46480 Pivot, Assembly. 6-spr Top mnt pvt w/o Tube-Pass**

46480 Pivot, Assb. 6-spr Top mnt pvt w/o Tube-Pass



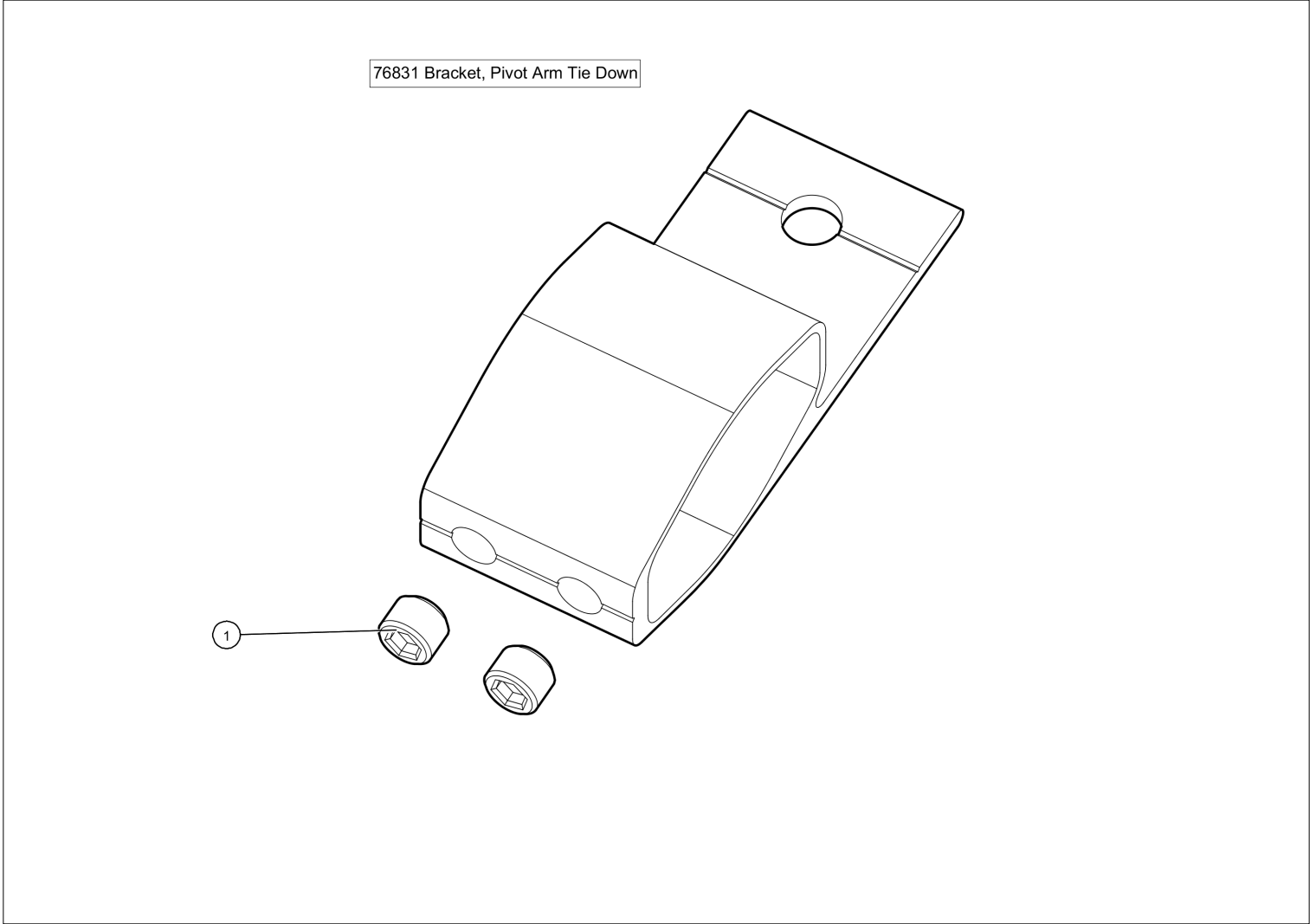
Item	Part No.	Name	Qty
Ref	46480	Pivot, Assembly. 6-spr Top mnt pvt w/o Tube-Pass	1
1	46370	Pivot Pin, for 5 & 6-Spring Roller Bearing - pass	1
1.1	47010	Bushing, Pivot 1 1/4 Machinery Bushing for Pivot Pin	1
1.2	47000	Snap Ring, 1 1/4" External for Pivot Pin	1
2	18540	Pin, 1/2" x 5-1/4" Clevis	1
3	47800	Bearing, Carrier Underbody Flanged	2
3.1	18628	Nut, Nylock nut 3/8" Jamb Nut	3
3.2	18242	Bolt, 3/8"-16 x 1 1/8" Button Head	3
4	47230	Spring, Spiral Torsion Spring 1 1/4	6
5	46400	Bracket, for 6-Spring Top Mount Pivots-each	1

**Pivot Assembly 46220 Pivot Tube, 120" w/set screws for Roller Bearing -Each-**



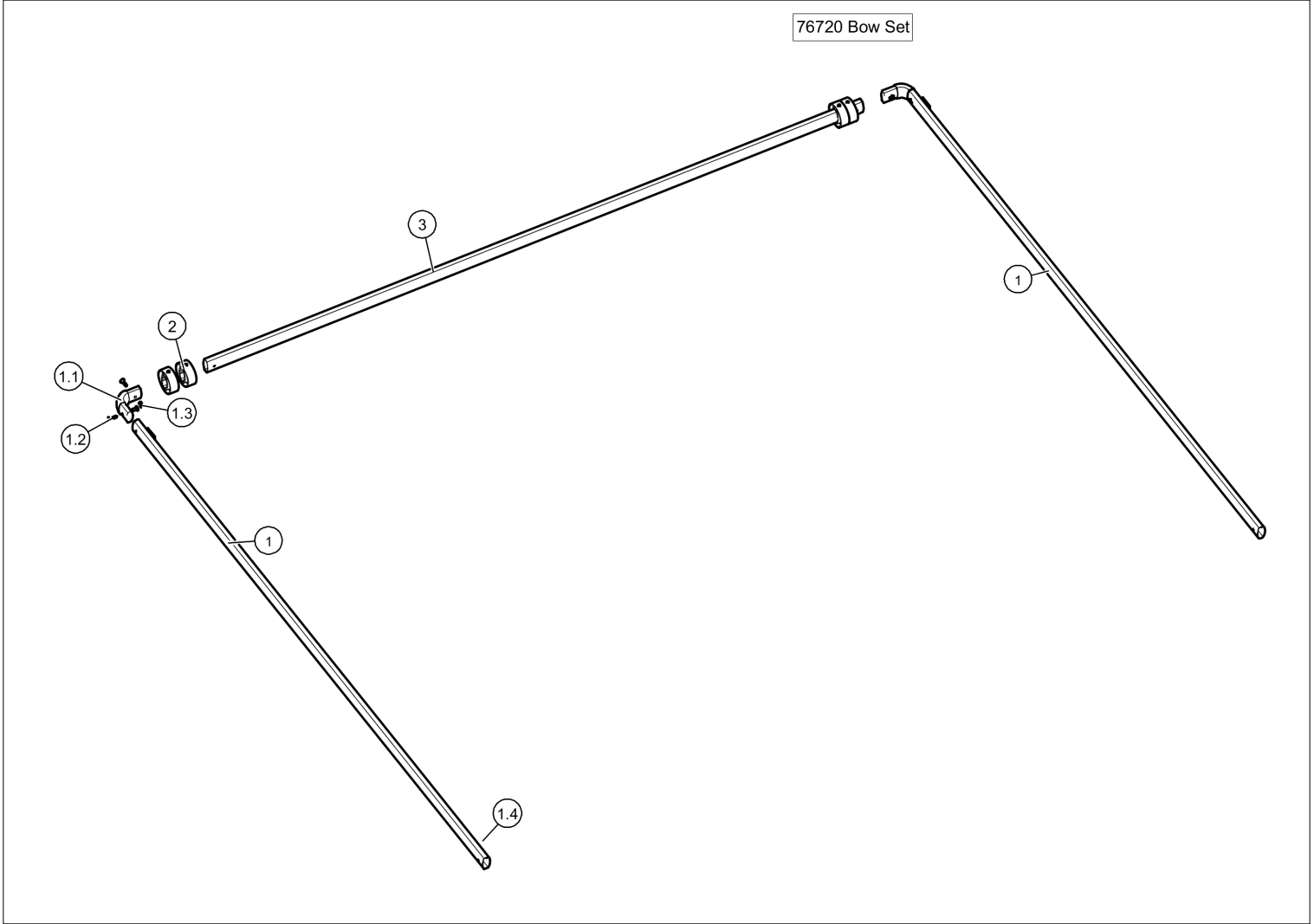
Item	Part No.	Name	Qty
Ref	46220	Pivot Tube, 120" w/set screws for Roller Bearing -Each-	1
1	18293	Screw, 1/2" x 3/8" Set Screw	4

*Pivot Assembly 76831 Bracket, Pivot Arm Tie Down*



Item	Part No.	Name	Qty
Ref	76831	Bracket, Pivot Arm Tie Down	1
1	18293	Screw, 1/2" x 3/8" Set Screw	2

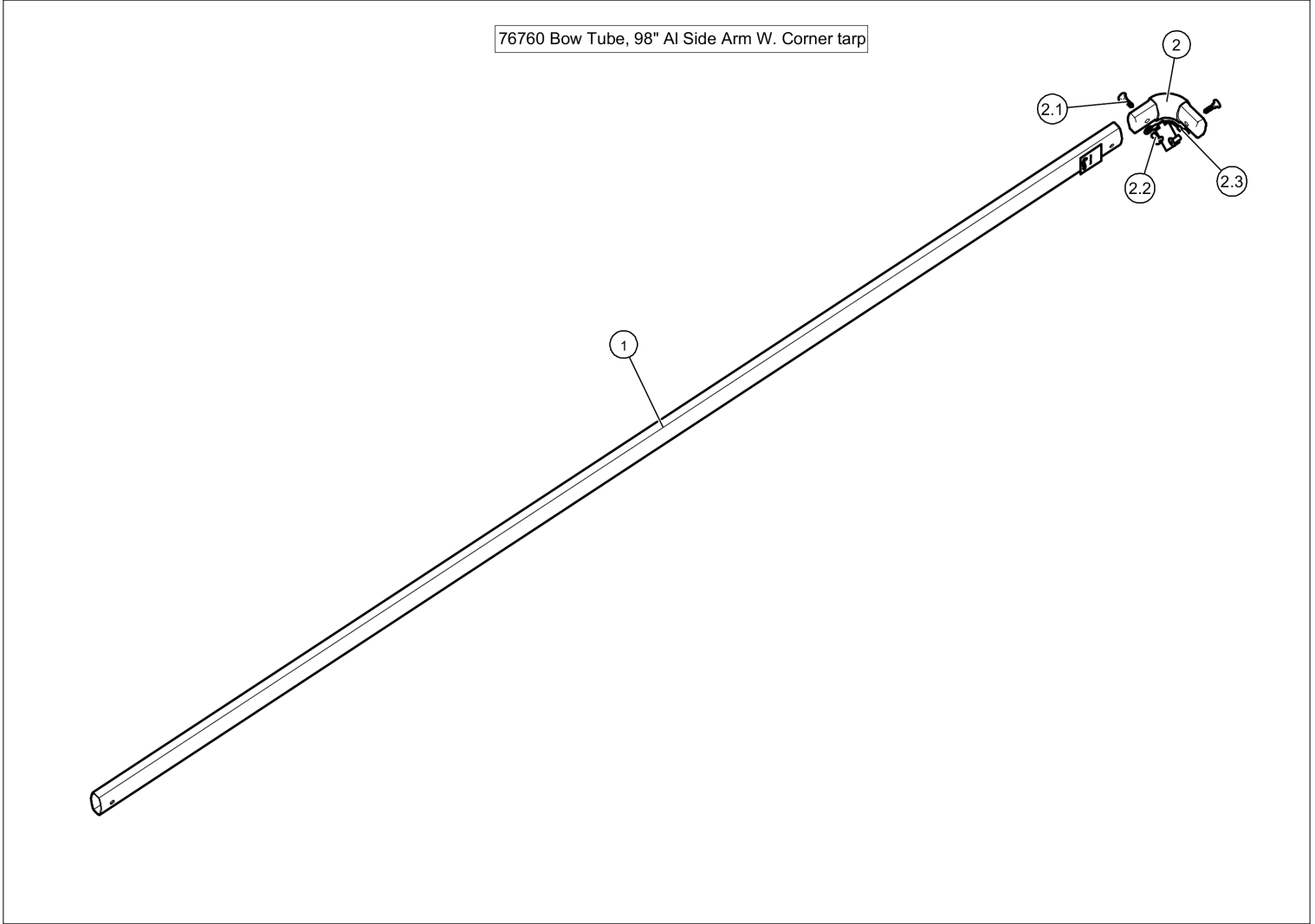
**Bow Set 76720 Pivot Set, 4 Spring w/ 60" Aluminum Pivot Tube**



Item	Part No.	Name	Qty
REF	76720	Bow Set, 103 1/2" Wide Top Tube w/ 98" Bow Arms	1
1	76760	Bow Tube, 98" Al Side Arm W. 90° Corner	2
1.1	76800	Casting, Aluminum Corner - 90 Degree	2
1.2	18718	Bolt, 1/4-20 x 1 3/16 Golt Clear Zinc - Post bolt for 90 degree corners	2
1.3	18719	Nut, 1/4-20 Cap Conn Nut Clear Zinc - Post bolt for 90 degree corners	4
1.4	76770	Bow Tube, AL Top Tube for Tarp Bow 98"	4
2	76810	Flange, Tarp Flange -pair-	2
3	76870	Bow Tube, AL Wide Top Tube for Tarp Bow - 103 1/2"	1

**Bow Set 76760 Bow Tube, 98" Al Side Arm W. 90° Corner**

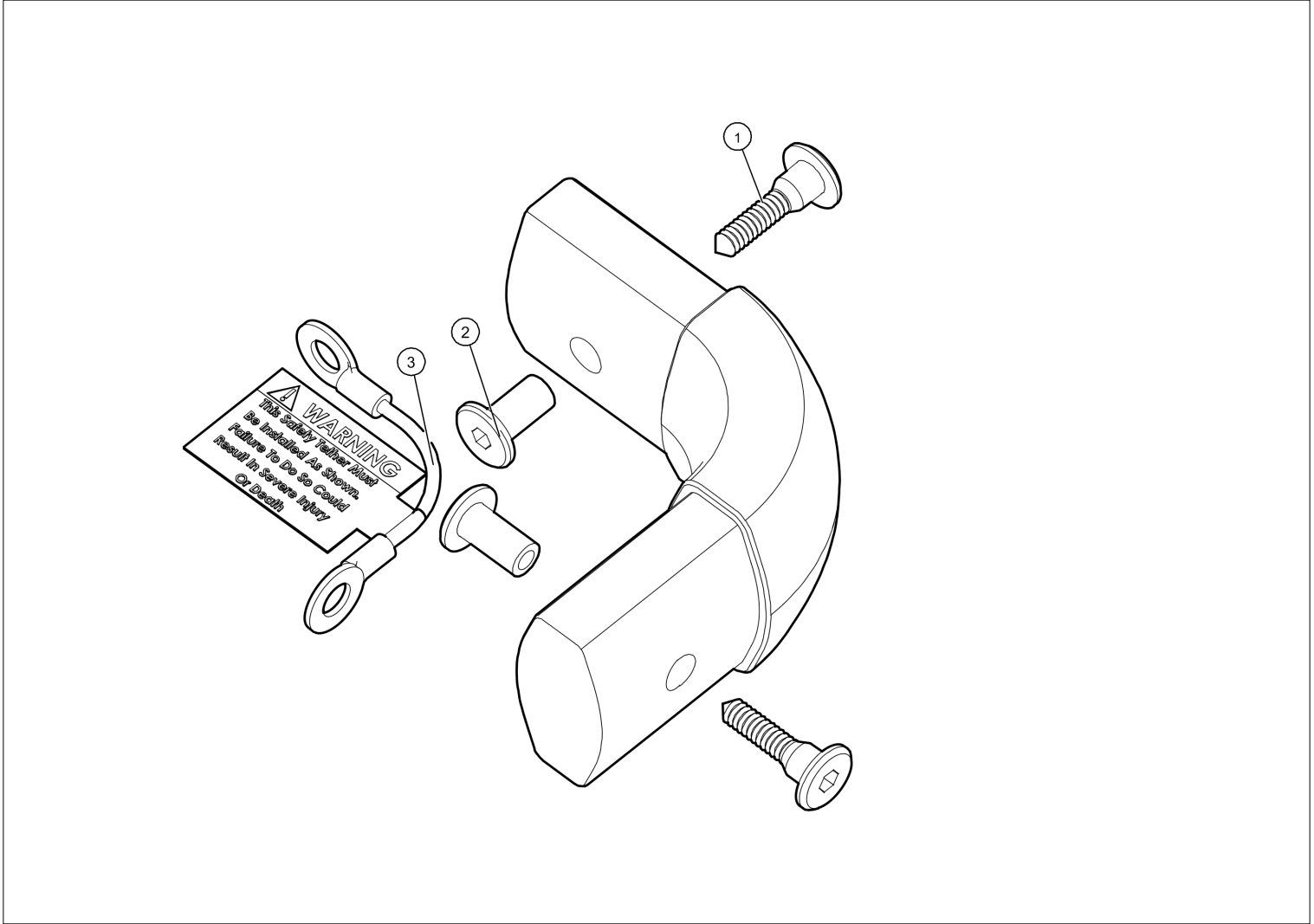
76760 Bow Tube, 98" Al Side Arm W. Corner tarp



Item	Part No.	Name	Qty
Ref	76760	Bow Tube, 98" Al Side Arm W. 90° Corner	1
1	76770	Bow Tube, AL Top Tube for Tarp Bow 98"	1
2	76800	Casting, Aluminum Corner - 90 Degree	1
2.1	18719	Nut, 1/4-20 Cap Conn Nut Clear Zinc - Post bolt for 90 degree corners	2
2.2	18718	Bolt, 1/4-20 x 1 3/16 Golt Clear Zinc - Post bolt for 90 degree corners	2
2.3	103533	Tether, Cable with Install Label for 90 degree corner	1

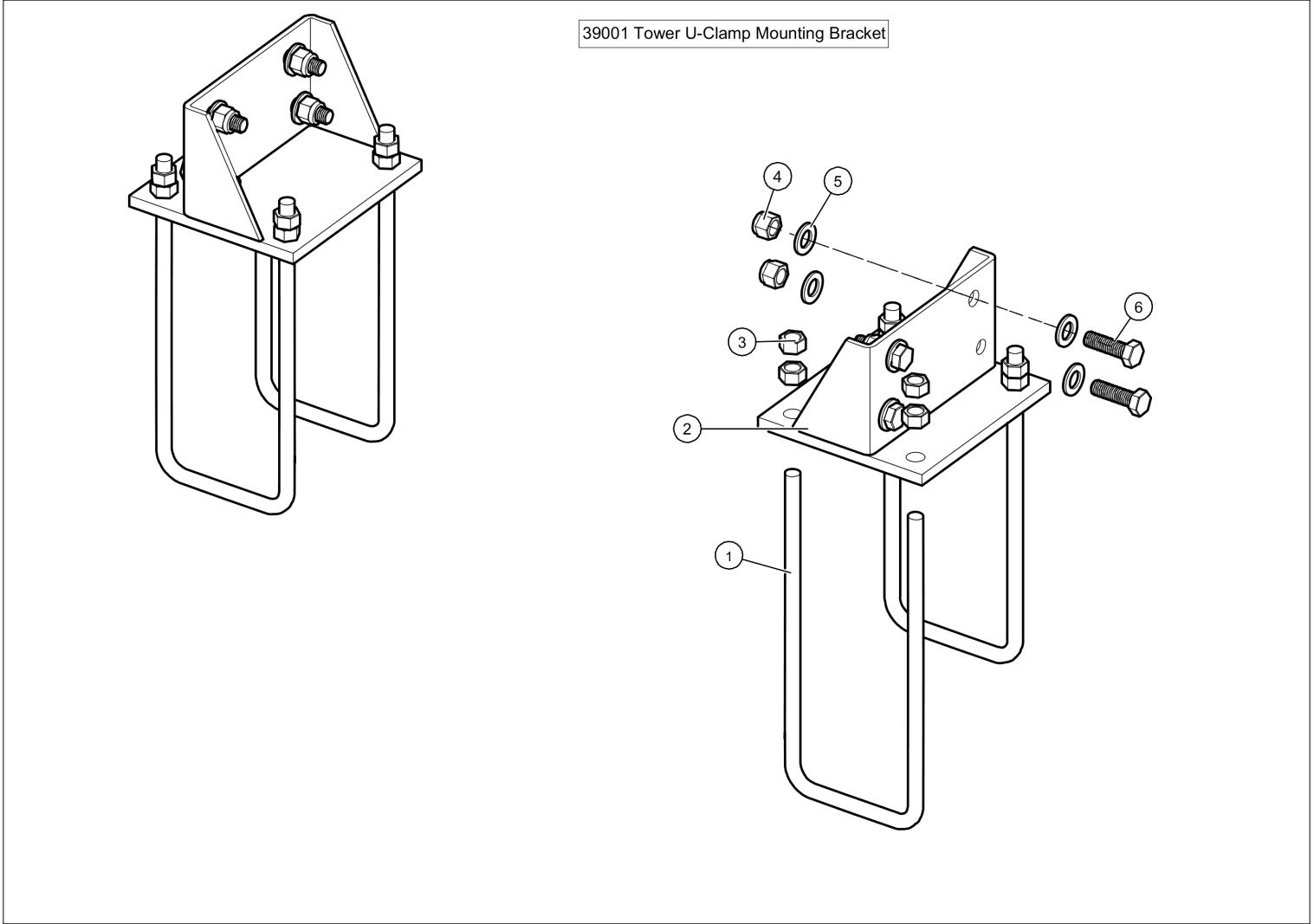


**Bow Set 76800 Casting, Aluminum Corner - 90 Degree**



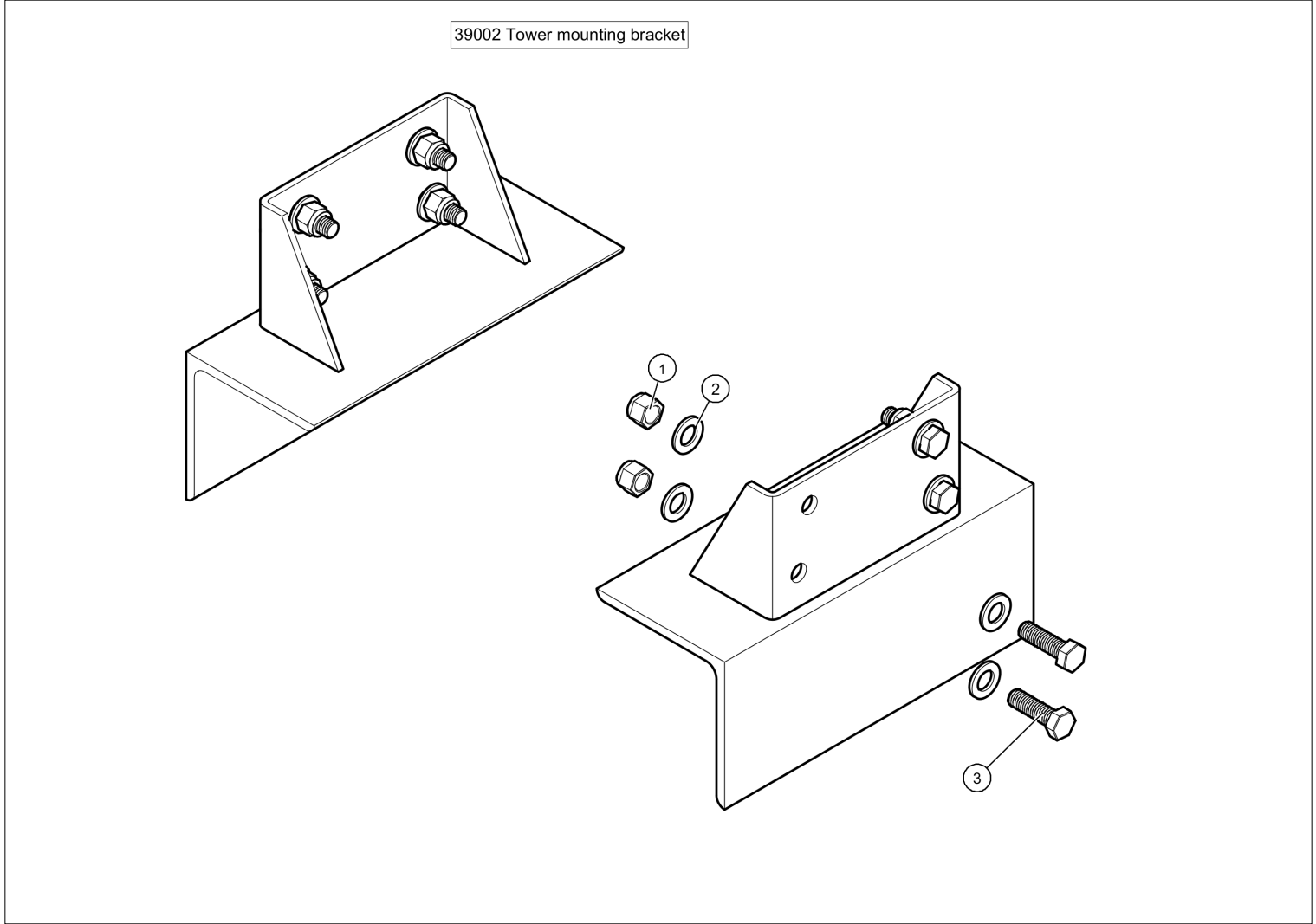
Item	Part No.	Name	Qty
1	18719	Nut, 1/4-20 Cap Conn Nut Clear Zinc - Post bolt for 90 degree corners	2
2	18718	Bolt, 1/4-20 x 1 3/16 Golt Clear Zinc - Post bolt for 90 degree corners	2
3	103533	Tether, Cable with Install Label for 90 degree corner	1

**Optional: Tower Mounting Brackets 39001 Bracket, U-bolt Style Tower Mounting Bracket - Set**



Item	Part No.	Name	Qty
REF	39001	Bracket, U-bolt Style Tower Mounting Bracket - Set	1
1	18714	Bolt, 5/8" x 14" U Bolt w/ 3 1/2" bottoms-Grd8 Fine Thread	1
2	100397	Bracket, U-bolt style tower mounting bracket (welded Pad and Gusset)	1
3	18305	Nut, 5/8" - 18 HEX G5 ZINC - For U Bolts	1
4	18587	Nut, 5/8" -10 Grade 8 Yellow Zinc Nylon Insert Lock Nut	2
5	18417	Washer, 5/8" Lock SAE	1
6	18738	Bolt, 5/8"-11 x 2 Hex Head Grade 8 Yellow Zinc	1

*Optional: Tower Mounting Brackets 39002 Bracket, Side Frame Style Tower Mounting Bracket - Set*



Item	Part No.	Name	Qty
REF	39002	Bracket, Side Frame Style Tower Mounting Bracket - Set	1
1	18587	Nut, 5/8" -10 Grade 8 Yellow Zinc Nylon Insert Lock Nut	8
2	18417	Washer, 5/8" Lock SAE	16
3	18738	Bolt, 5/8"-11 x 2 Hex Head Grade 8 Yellow Zinc	8

## Appendix B:Parts Index

100397	6-1	31030	3-1
100740	3-1	31050	3-1
100864	3-1	36164	3-1, 3-2
10122	3-1	36300	3-1, 3-2
101319	3-1	39001	1, 6-1
101531	1, 3-1	39002	1, 6-2
101675	3-1, 3-2	39004	3-1, 3-3
102066	3-4	39169	3-3
102078	3-4	39179	3-3
102079	3-4	39299	3-1
102080	3-4	39520	3-1
102832	3-4	39612	3-1, 3-4
103533	5-2, 5-3	39615	3-1
10778	3-1	46220	4-1, 4-4
10794	3-1	46360	4-2
1130	3-1	46370	4-3
1131	3-1	46400	4-2, 4-3
1132	3-1	46470	4-1, 4-2
11325	3-1	46480	4-1, 4-3
11330	3-1	46590	1, 4-1
11345	3-1	47000	4-2, 4-3
11347	3-1	47010	4-2, 4-3
17915	3-1	47230	4-2, 4-3
18120	3-1, 3-2	47800	4-2, 4-3
18242	3-1, 4-2, 4-3	69400	1
18245	3-1, 3-2	76720	1, 5-1
18260	3-2	76760	5-1, 5-2
18293	4-4, 4-5	76770	5-1, 5-2
18296	4-1	76800	5-1, 5-2
18305	6-1	76810	5-1
18412	3-1, 3-2, 4-1	76831	4-1, 4-5
18417	6-1, 6-2	76870	5-1
18540	4-2, 4-3		
18587	6-1, 6-2		
18628	3-1, 4-2, 4-3		
18631	3-1, 3-2, 4-1		
18714	6-1		
18718	5-1, 5-2, 5-3		
18719	5-1, 5-2, 5-3		
18738	6-1, 6-2		
19470	3-1		
19865	3-1		



**Automated Covering Systems**

650 Industrial Drive · Gladwin, MI 48624

### **Warranty Policy**

Roll Rite, LLC warrants all of its products except tarps to be free of defects in material or workmanship under normal use and service for a period of one year from date of shipment.

In addition, Roll Rite, LLC warrants all of its electric and hydraulic gear motors against premature wear out. Gear motors using worm gears are warranted against wear out for a period of three (3) years. Gear motors using spur and/or helical gears are warranted against wear out for a period of five (5) years.

Roll-Rite, LLC shall be the sole judge of the warrantability of alleged product defects or premature wear. Roll-Rite, LLC reserves the right to refuse to honor this warranty for any products improperly modified, installed, used, abused, or damaged including modifications to electrical specifications or other problems not due to defects in Roll Rite, LLC workmanship or materials.

Except as outlined below, this warranty is specifically limited to the replacement or repair, at Roll Rite, LLC's option, of any such warrantable defects or premature wear, without charge, when the complete product is returned to the factory freight prepaid.

**You must obtain a Return Goods Authorization (RGA) number before returning the product. To apply for a RGA number use our online [RGA form here](#) - or - contact the factory at 800-297-9905. Products received without a RGA number clearly marked on the outside of the package will be refused.**

Products that are returned for warranty examination and that are found to be non-warrantable are chargeable. Damaged non-warrantable products will only be returned to the customer if this is requested before any work is begun. The customer will be responsible for the cost of repair and return shipping of non-warrantable products. Payment authorization must be received by Roll-Rite, LLC before any non-warrantable equipment is returned. Warrantable products are repaired or replaced at no charge and returned freight prepaid via the same or comparable means that were used to send the product in.

This limited warranty excludes all other warranties, express or implied. Except as specifically outlined above, Roll-Rite, LLC shall not be liable for warranty in any amount exceeding the purchase price of the goods. Roll-Rite, LLC shall not be liable for any special incidental or consequential damages. This warranty gives you specific legal rights. You may also have other rights, which may vary from state to state and country to country.

For more information, please call the factory at **1-800-297-9905**. Outside U.S. & Canada: 989-345-3434 Fax: 989-345-7805 e-mail: [info@RollRite.com](mailto:info@RollRite.com)