

ART-60-252EF 25ft Roll-Off Trailer Extended Front

General Specifications

Payload: 60,000 lbs 27ft Roll-Off

Kingpin: 3/4" King Pin Plate, 24" King Pin Center

Main Beam: 4x12 Rect Tubing, 4x6 Gooseneck ASTM A500GrB
Steel, Reinforced Frame wrap

Stabilizer Frame: 4x4 Sq Tubing ASTM A500GrB Steel

Sliding Suspension: 12x30 W Beam ASTM A992 Steel

Landing Gear: 160,000 lbs capacity, 17" travel, low "T" shoes.
Driver side crank handle.

Lift Cylinder: (2) Double Acting Cylinder, 3/4" Hose

Reeving Cylinder: (2) Double Acting Cylinder, 3/4"

Axles: 5", 25,000 lb capacity, 7.5x16" drum brakes

Wheels: 22.5 x 8.25 hub-piloted Steel Rims

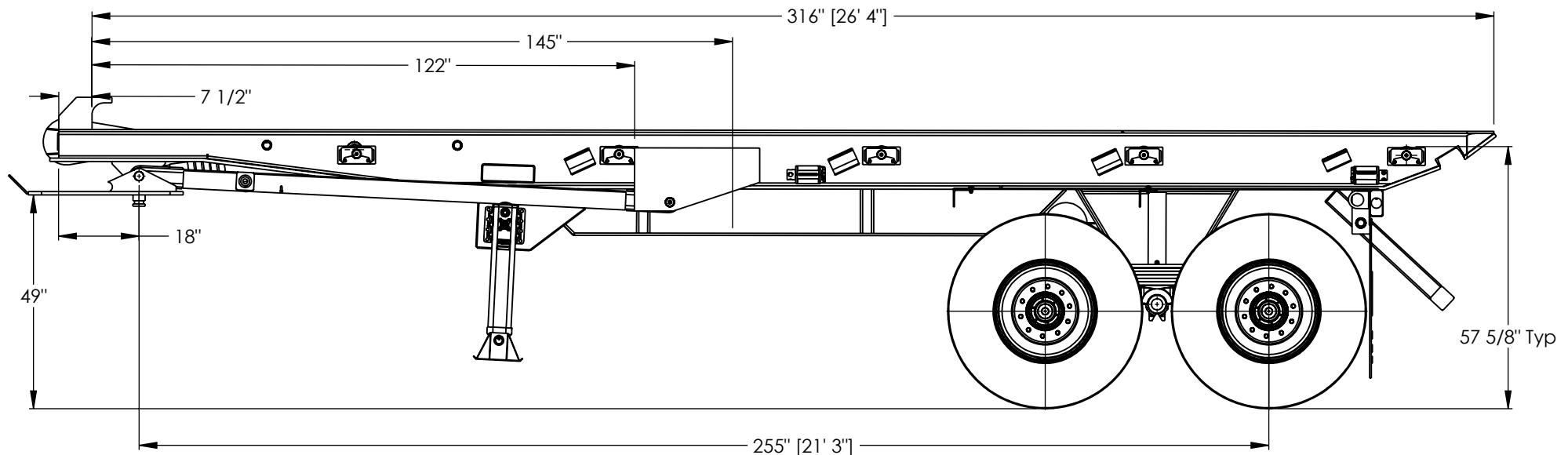
Tires: 11R22.5 Radial Tires

Brake System: ABS (first axle std), Auto Slack adjustors T30/30
Brake Chambers 2.5" stroke. Meets FMSVSS 121

Electrical/Pneumatic: All lights, wiring & lines meet DOT-108

Finish: Cleaned and coated with Epoxy Primer and acrylic urethane topcoat, Black

Safety Marking: Installed per federal regulations



The information contained in this drawing is for illustrated purpose only, Brothers Equipment reserves the right to make changes at any time without notice.



Brothers Equipment Inc.

1335 East 171st Street, Cleveland, Oh. 44110
800-578-8471 www.brosequip.com