

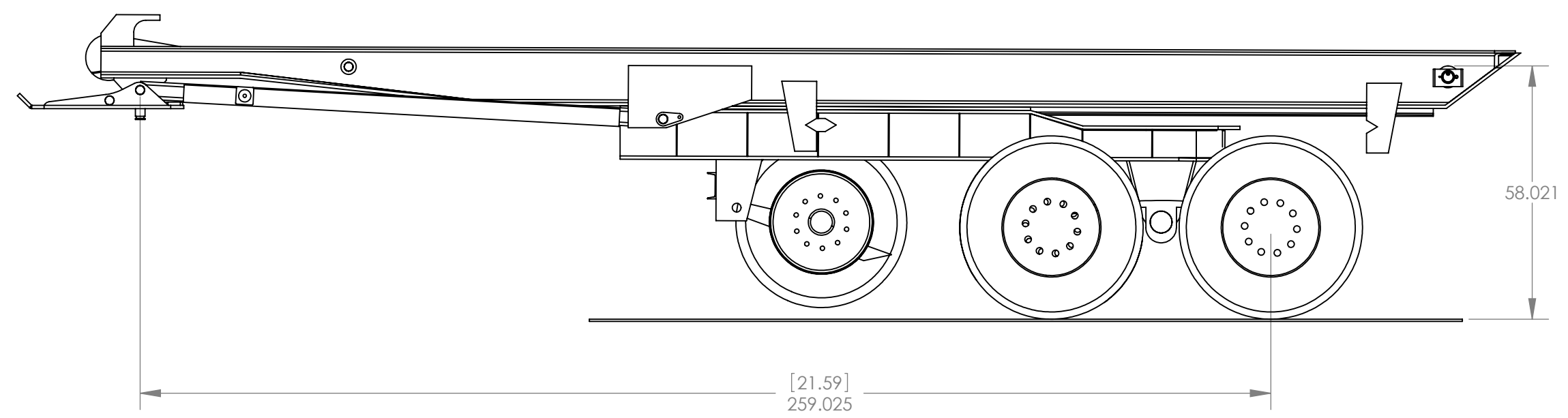
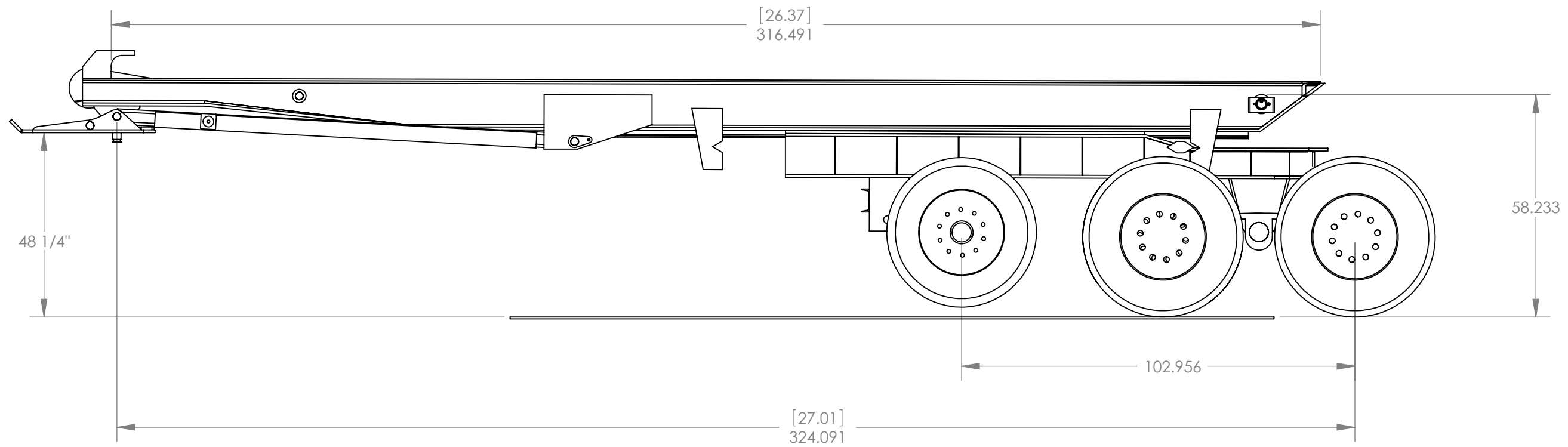
PROPRIETARY AND CONFIDENTIAL
 THE INFORMATION CONTAINED IN THIS DRAWING IS THE SOLE PROPERTY OF ACE EQUIPMENT SALES INC. ANY REPRODUCTION IN PART OR AS A WHOLE WITHOUT THE WRITTEN PERMISSION OF ACE EQUIPMENTSALSALES INC. IS PROHIBITED.

TOLERANCES:
 FRACTIONS: ± 1/16
 ANGLES: ± 1°
 .XX: ± .015
 .XXX: ± .005

UNLESS OTHERWISE SPECIFIED DIMENSIONS ARE IN INCHES

CAD FILE	ART-60-27-S117
MATERIAL	
WEIGHT	lb.
DRAWN	LK
	2/4/2008

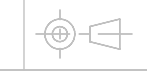
ACE Equipment Sales <small>Cleveland, OH www.aceequipmentsales.com</small>	
ART-60-27-S Slide suspension Dumping	
PART NO.	
SIZE T	SCALE 1:96
SHEET 1 OF 2	REV A



PROPRIETARY AND CONFIDENTIAL
 THE INFORMATION CONTAINED IN THIS DRAWING IS THE SOLE PROPERTY OF ACE EQUIPMENT SALES INC. ANY REPRODUCTION IN PART OR AS A WHOLE WITHOUT THE WRITTEN PERMISSION OF ACE EQUIPMENTSALES INC. IS PROHIBITED.

TOLERANCES:
 FRACTIONS: ± 1/16
 ANGLES: ± 1°
 .XX: ± .015
 .XXX: ± .005

UNLESS OTHERWISE SPECIFIED DIMENSIONS ARE IN INCHES



CAD FILE	ART-60-27-S117
MATERIAL	
WEIGHT	lb.
DRAWN	LK



ART-60-27-S General Layout			
PART NO.			
2/4/2008	SIZE T	SCALE 1:96	SHEET 2 OF 2
REV	A		